



US00D787935S

(12) **United States Design Patent**
Kaiser

(10) **Patent No.:** **US D787,935 S**

(45) **Date of Patent:** **** May 30, 2017**

(54) **GROWLER LID WITH CARRYING HANDLE**

(71) Applicant: **Mark Christian Kaiser**, Minneapolis,
MN (US)

(72) Inventor: **Mark Christian Kaiser**, Minneapolis,
MN (US)

(**) Term: **14 Years**

(21) Appl. No.: **29/521,485**

(22) Filed: **Mar. 24, 2015**

(51) **LOC (10) Cl.** **09-07**

(52) **U.S. Cl.**
USPC **D9/435**

(58) **Field of Classification Search**
USPC D9/435-436, 447, 452, 485-486, 439,
D9/443
CPC B65D 39/00; B65D 39/16; B65D 42/00;
B65D 42/02; B65D 43/32; B65D 45/04;
B65D 50/00; B65D 50/02; B65D 51/005;
B65D 51/007; B65D 51/14; B65D
51/145; B65D 51/18; B65D 51/28; B65D
51/2807; B65D 53/02

See application file for complete search history.

(56) **References Cited**

U.S. PATENT DOCUMENTS

116,844	A *	7/1871	Savery	B65D 51/28 220/521
328,672	A *	10/1885	Hayward	B65D 39/16 215/291
590,908	A *	9/1897	Pendleton, Jr.	B65D 51/145 215/276
1,338,494	A *	4/1920	Daniel	B65D 39/16 215/272
1,669,216	A *	5/1928	Stanley	B65D 45/04 215/238
2,003,460	A *	6/1935	Paull	B65D 39/16 126/373.1

2,582,269	A *	1/1952	Oftedahl	B65D 39/16 16/444
D206,029	S *	10/1966	Stull	D9/443
D276,790	S *	12/1984	Laske	D9/443
D414,685	S *	10/1999	Chahed	D9/443
D415,426	S *	10/1999	Herrmann	D9/443
6,227,393	B1 *	5/2001	Takeuchi	B29C 45/0081 215/396
D743,269	S *	11/2015	Pape	D9/550
D758,859	S *	6/2016	Sorensen	D7/393

(Continued)

Primary Examiner — Robin V Webster

Assistant Examiner — Rachel Voorhies

(74) *Attorney, Agent, or Firm* — Antonio Papageorgiou;

Meister Seelig & Fein LLP

(57) **CLAIM**

The ornamental design for growler lid with carrying handle, as shown and described.

DESCRIPTION

FIG. 1 is a perspective view of one side and the front of the growler lid with carrying handle according to one embodiment of my new design;

FIG. 2 is a front view thereof, the back side being equal and opposite;

FIG. 3 is a left side view thereof, the right side being equal and opposite;

FIG. 4 is a top view thereof;

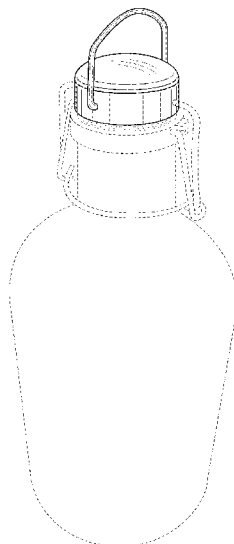
FIG. 5 is a bottom view thereof; and,

FIG. 6 is another embodiment of a top view like FIG. 4 (the front, left side and bottom views thereof being the same as FIGS. 2, 3, and 5, respectively).

The dashed lines, shown in the drawings, are for illustrative purposes only and form no part of the claimed design.

An application for the logo Growl Steel, forming part of the claimed design, has been filed for U.S. federal trademark registration by the Kaiser Group Inc.

1 Claim, 4 Drawing Sheets



(56)

References Cited

U.S. PATENT DOCUMENTS

D760,586	S	*	7/2016	Seiders	D7/392.1
2006/0151422	A1	*	7/2006	Manley	B65D 39/08 215/341

* cited by examiner

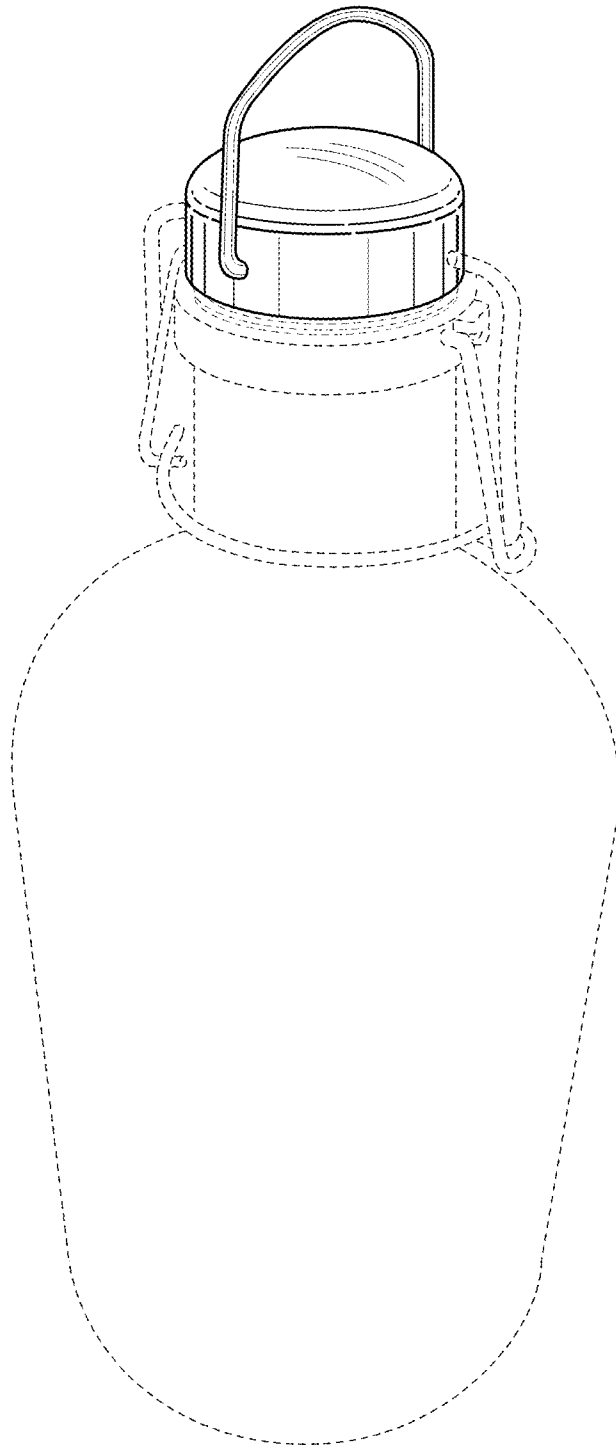


FIG. 1

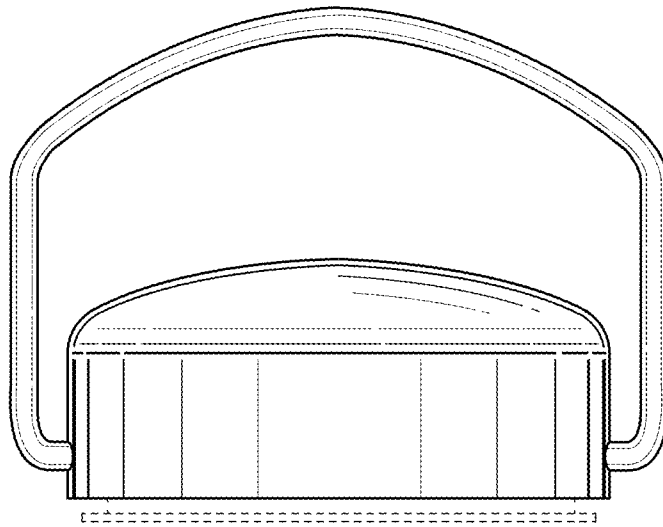


FIG. 2

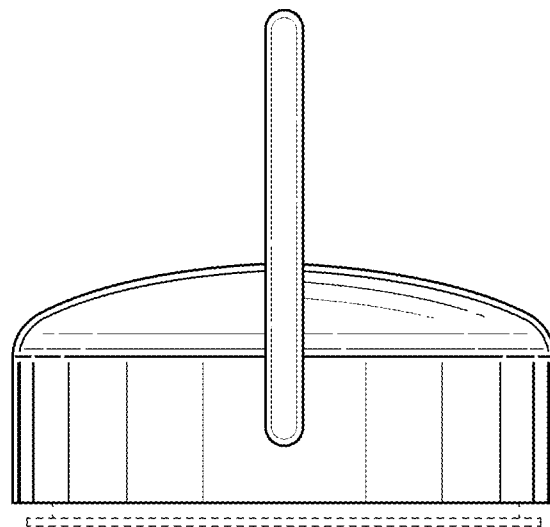


FIG. 3

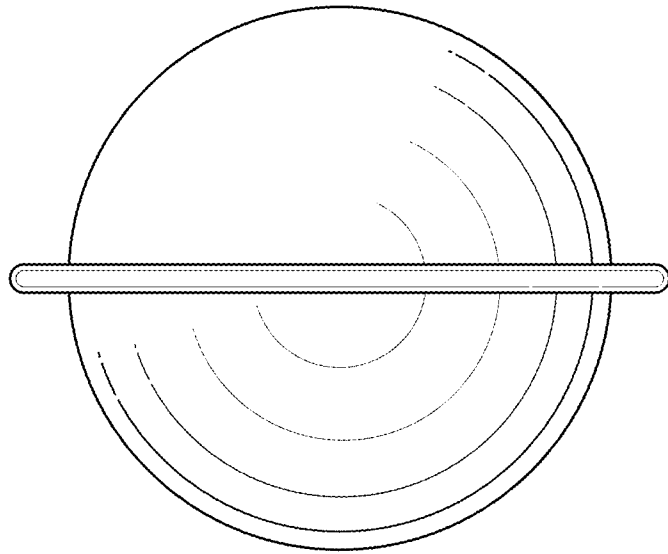


FIG. 4

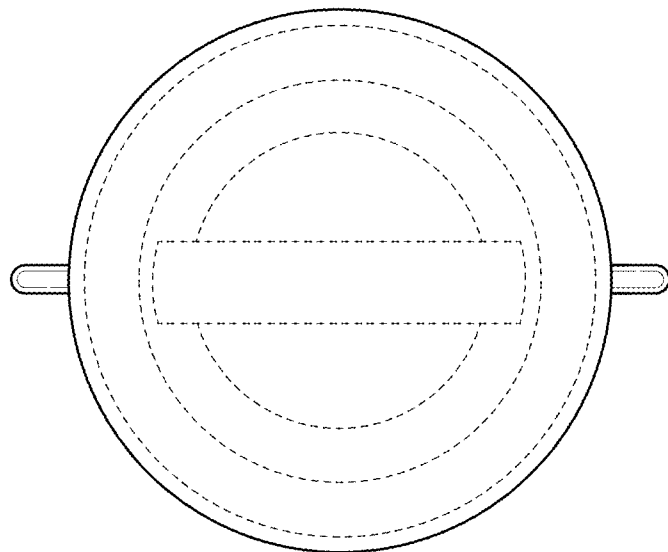


FIG. 5



FIG. 6